

COB Series- 320LED/M

COB 320



CRI Option

- 80+
- 90+

Technical Data

PCB Thickness

- 2oz
- 3oz

PCB Color

- White
- Black
- Golden

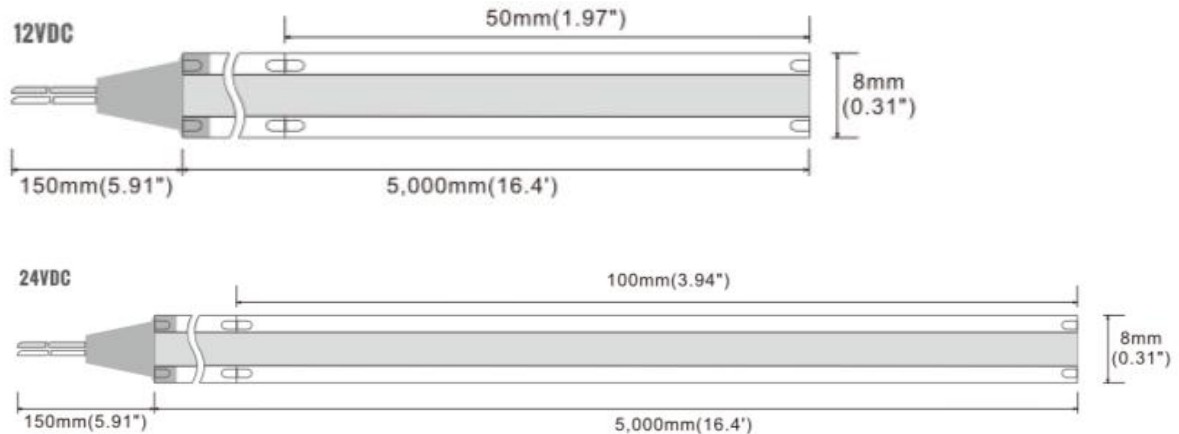
| Volotage | Code | Color | Watts | Lumen | Efficiency | Pitch | Width |
|----------|-------------|-------|-------|-------|------------|-------|-------|
| 12VDC | SL-D3201-27 | 2700K | 7.7 | 693 | 90 | 50mm | 8mm |
| | SL-D3201-30 | 3000K | 7.7 | 716 | 93 | | 8mm |
| | SL-D3201-40 | 4000K | 7.7 | 816 | 106 | | 8mm |
| | SL-D3201-50 | 5000K | 7.7 | 816 | 106 | | 8mm |
| | SL-D3201-65 | 6500K | 7.7 | 816 | 106 | | 8mm |
| 24VDC | SL-D3202-27 | 2700K | 7.7 | 693 | 90 | 100mm | 8mm |
| | SL-D3202-30 | 3000K | 7.7 | 716 | 93 | | 8mm |
| | SL-D3202-40 | 4000K | 7.7 | 816 | 106 | | 8mm |
| | SL-D3202-50 | 5000K | 7.7 | 816 | 106 | | 8mm |
| | SL-D3202-65 | 6500K | 7.7 | 816 | 106 | | 8mm |

- The above measurements are based on IP20
- The above measurements can have 10% tolerance

Color Option

- 2700K
- 3000K
- 4000K
- 5000K
- 6500K
- 10000K
- Red
- Green
- Blue

Dimensions



Main Features

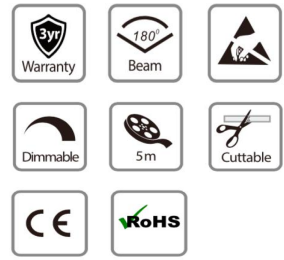
- Spot free without cover.
- 180 degree big viewing angle.
- 12V /24V low voltage input for human safety.
- One chip fail,don't affect other chips.

Available Waterproof Ways

| IP Rating | 20 | 65A | 65B | 67 |
|-----------|------|------------------------------|---------------------------|---------------------------|
| Section | | | | |
| Materail | none | Inject with heat shrink tube | Inject with silicone tube | Inject with silicone tube |

COB Series- 528LED/M

COB 528



CRI Option

- 80+
- 90+

Technical Data

PCB Thickness

- 2oz
- 3oz

PCB Color

- White
- Black
- Golden

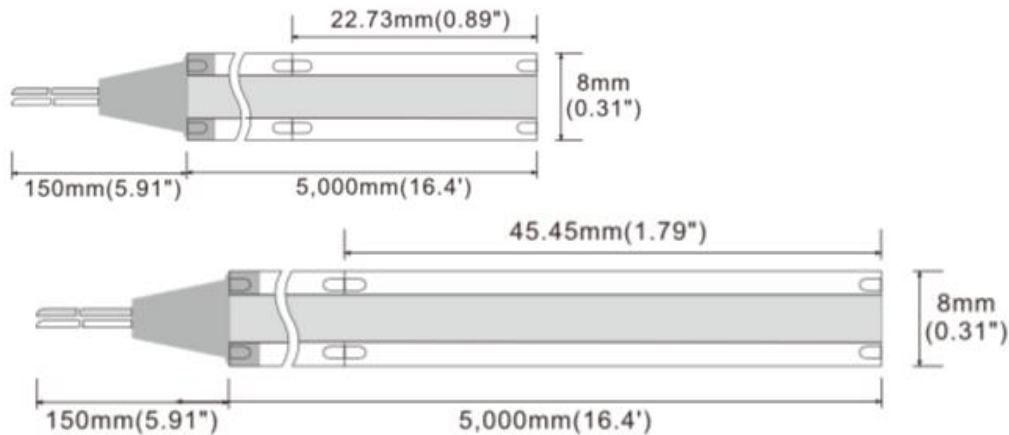
| Volotage | Code | Color | Watts | Lumen | Efficiency | Pitch | Width |
|----------|-------------|-------|-------|-------|------------|---------|-------|
| 12VDC | SL-D5281-27 | 2700K | 10 | 880 | 88 | 22.73mm | 8mm |
| | SL-D5281-30 | 3000K | 10 | 910 | 91 | | 8mm |
| | SL-D5281-40 | 4000K | 10 | 1000 | 100 | | 8mm |
| | SL-D5281-50 | 5000K | 10 | 1000 | 100 | | 8mm |
| | SL-D5281-65 | 6500K | 10 | 1000 | 100 | | 8mm |
| 24VDC | SL-D5282-27 | 2700K | 10 | 880 | 88 | 45.45mm | 8mm |
| | SL-D5282-30 | 3000K | 10 | 910 | 91 | | 8mm |
| | SL-D5282-40 | 4000K | 10 | 1000 | 100 | | 8mm |
| | SL-D5282-50 | 5000K | 10 | 1000 | 100 | | 8mm |
| | SL-D5282-65 | 6500K | 10 | 1000 | 100 | | 8mm |

- The above measurements are based on IP20
- The above measurements can have 10% tolerance

Color Option

- 2700K
- 3000K
- 4000K
- 5000K
- 6500K
- 10000K
- Red
- Green
- Blue

Dimensions



Main Features

- Spot free without cover.
- 180 degree big viewing angle.
- 12V /24V low voltage input for human safety.
- One chip fail, don't affect other chips.

Available Waterproof Ways

| IP Rating | 20 | 65A | 65B | 67 |
|-----------|------|------------------------------|---------------------------|---------------------------|
| Section | | | | |
| Materail | none | Inject with heat shrink tube | Inject with silicone tube | Inject with silicone tube |